



Flow-Tek®

A Subsidiary of BRAY INTERNATIONAL, Inc.

2 Piece Threaded Full Port Ball Valves: 1/4" - 4"



Flow-Tek's Series S80 ball valves have been designed to meet the needs of the chemical, textile and process industries. Standard 2-piece valve bodies are available in Stainless Steel. Stainless Steel bodies are investment cast and solution annealed for the highest quality and added strength. All body castings are marked with a foundry heat number for full traceability.

These quarter turn valves feature a full port design that minimizes pressure drops with smooth flow characteristics.

Other features include low operating torque, adjustable stem packing, blowout proof stems, and stainless steel safety latch handles.

Pressure Rating 1000 psi WOG

Steam Rating 150 psi WSP

Temperature Range

-50°F to +450°F

-46°C to +232°C

End Connections Threaded - NPT

Body Material Stainless Steel

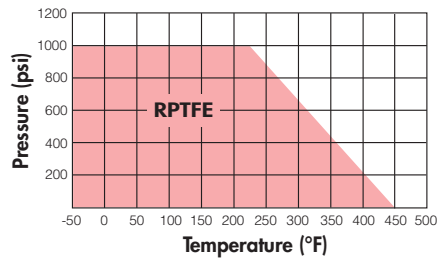


Technical Data

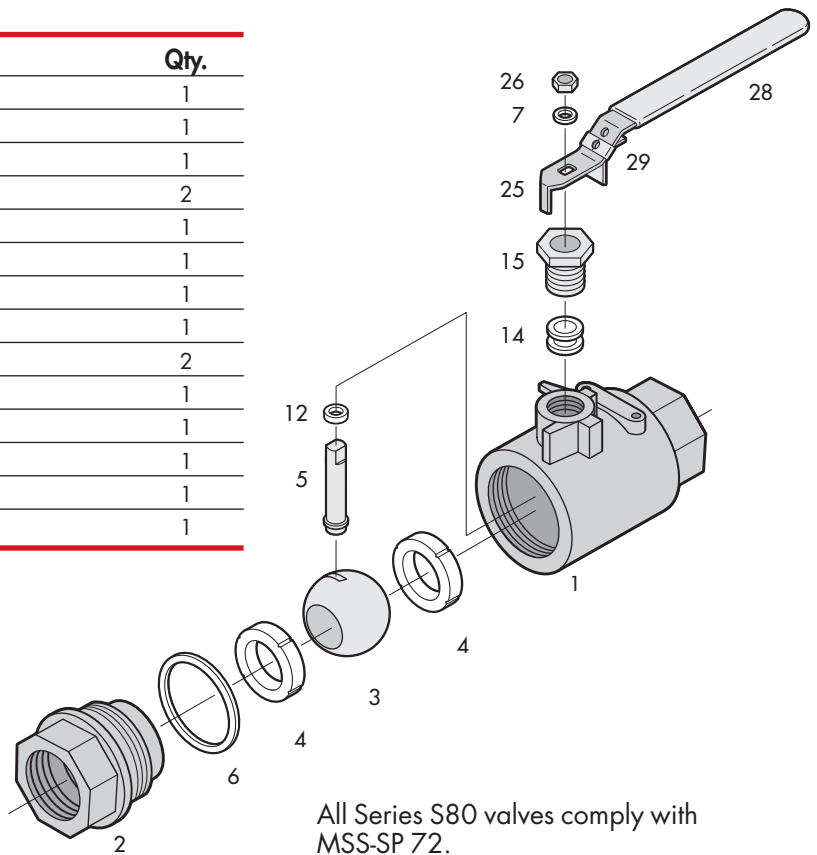
COMPONENTS AND MATERIALS

Item	Name	Stainless Steel	Qty.
1	Body	ASTM A351 Gr CF8M	1
2	End Cap	ASTM A351 Gr CF8M	1
3	Ball	SS316	1
4	Seat	RPTFE	2
5	Stem	ASTM A479 Type 316	1
6	Body Seal	RPTFE	1
7	Spring Washer	SS300	1
12	Thrust Washer	RPTFE	1
14	Stem Packing	RPTFE	2
15	Packing Gland	SS304	1
25	Handle	SS304	1
26	Handle Nut	SS304	1
28	Handle Sleeve	Vinyl	1
29	Locking Device	SS300	1

PRESSURE/TEMPERATURE



STEAM RATING:
150 psi WSP



DIMENSIONS AND WEIGHTS

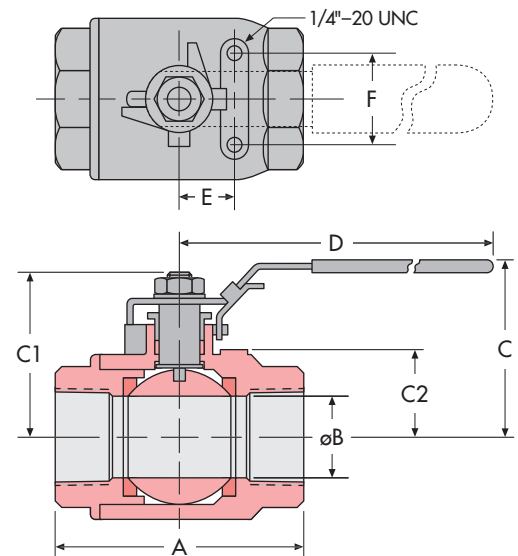
Size ins mm	A	øB Port	C	C1	C2	D	E	F	Cv	Torque Weight	
										lbs-in* Nm	lbs kg
1/4 8	2.1 54	0.46 12	2.1 54	1.6 40	0.48 12.2	3.8 97	0.5 12.7	1.12 28.5	10	65 7.3	0.5 0.23
3/8 10	2.1 54	0.49 12.5	2.1 54	1.6 40	0.48 12.2	3.8 97	0.5 12.7	1.12 28.5	12	65 7.3	0.5 0.23
1/2 15	2.5 62.5	0.59 15	2.4 61	1.8 46	0.76 19.3	3.9 100	0.5 12.7	1.14 29	38	65 7.3	0.8 0.36
3/4 20	2.6 73	0.79 20	2.4 61	2.0 50	0.85 21.6	4.8 122	0.5 12.7	1.4 35	66	85 9.5	1.2 0.54
1 25	3.3 84.5	0.98 25	2.9 75	2.3 58	1.02 25.9	5.7 145	0.9 22.9	1.4 35	105	125 14.1	1.9 0.86
1 1/4 32	4 102	1.25 32	3.1 79	2.5 64	1.20 30.5	5.9 150	0.9 22.9	1.5 38	190	230 26	2.5 1.1
1 1/2 40	4.3 110	1.50 38	3.3 84.5	3.0 75	1.47 37.4	7.2 182	0.9 22.9	1.5 38	275	300 33.9	4.0 1.8
2 50	4.8 122.5	2.00 50	3.8 96	3.3 85	1.71 43.4	7.2 182	0.9 22.9	1.5 38	480	365 41.2	6.5 2.95
2 1/2 65	6.2 158	2.50 65	5.0 126	4.5 115	2.20 55.9	9.8 250	1.4 35.6	2.2 55	797	650 73.4	11.3 5.13
3 80	7.2 183	3.00 80	5.3 135.5	5.1 130	2.97 75.4	9.8 250	1.4 35.6	2.2 55	1210	765 86.4	16.9 7.7
4 100	8.8 225	4.00 100	6.1 156	5.8 148	3.40 86.4	14.4 365	1.4 35.6	2.2 55	2055	3000 339	33.2 15.1

Note: dual mounting pads for 2 1/2", 3" and 4".

All Series S80 valves comply with MSS-SP 72.

All valves are tested in accordance with MSS-SP 72.

Vacuum Service to 29 inches Hg. gauge.



Flow-Tek®

A Subsidiary of BRAY INTERNATIONAL, Inc.
8323 N. Eldridge Pkwy #100 Houston, Texas 77041
832.912.2300 Fax: 832.912.2301
www.flow-tek.com

All statements, technical information, and recommendations in this bulletin are for general use only. Consult Flow-Tek representatives or factory for the specific requirements and material selection for your intended application. The right to change or modify product design or product without prior notice is reserved.

Flow-Tek® is a registered trademark of Flow-Tek, Inc.
© 2009 Flow-Tek, Inc.
F-2201_EN_S80_2009-08

HOLDFAST

FLUID POWER

Forrestfield

657 Dundas Road,
Forrestfield WA 6058

Phone: 1300 HOLDFAST
Phone: (08) 9359 1795
Fax: (08) 9359 1792
Email: sales@holdfastaust.com.au

Broome

10/274 Port Drive,
Broome WA 6725

Phone: 1300 HOLDFAST
Phone: (08) 9192 6007
Fax: (08) 9192 6067
Email: salesnw@holdfastaust.com.au

Naval Base

1/27 Dooley Street
Naval Base WA 6165

Phone: 1300 HOLDFAST
Phone: (08) 9410 0716
Fax: (08) 9410 1152
Email: sales2@holdfastaust.com.au

1300 HOLDFAST