



A
Bray
High
Performance
Company

Flow-Tek®

A Subsidiary of BRAY INTERNATIONAL, Inc.

2 Piece Full Port Brass Ball Valves, 1/4" - 4"



Series S51

Flow-Tek's Series S51 brass ball valves are the ideal utility valve for low pressure commercial applications. The two-piece body construction offers simple quarter turn operation, low operating torque and bottom entry blowout proof stems. The balls are hard chromium plated brass for added durability and longevity. The Series S51's full port design minimizes pressure drops while maximizing flow.

The threaded end connections are manufactured with deeper grooves to ensure a positive connection. Easily adjustable stem packing seals prevent media leakage through the stem. Other features include vinyl insulated handles. This is an excellent valve for use in general service on water, steam, oil or compressed gases.

All Series S51 ball valves are **CSA** and **UL listed** and **CE certified**.

Pressure Ratings

1/4" - 2": 600 psi WOG
150 psi WSP
2 1/2" - 4": 400 psi WOG
150 psi WSP

Temperature Range

-50°F to +400°F
-46°C to +200°C

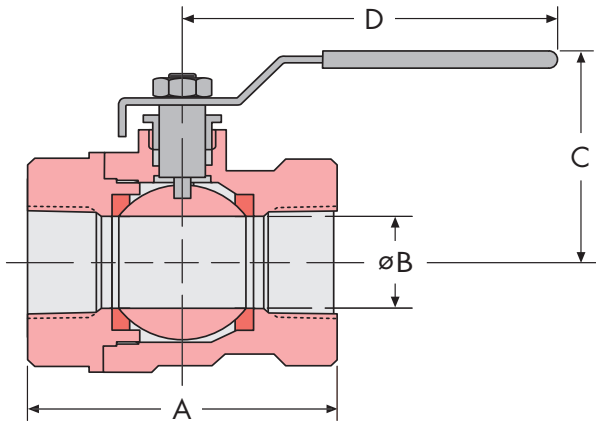
End Connections Threaded - NPT

Body Material Brass

Technical Data

DIMENSIONS, C_v, TORQUES & WEIGHTS

| Size ins mm | A | øB Port | C | D | C _v | Torque lbs-in. | Weight lbs kg |
|----------------|---------------|--------------|---------------|---------------|----------------|-------------------|------------------|
| 1/4 6 | 1.75 44 | 0.40 10 | 1.28 32 | 3.54 89 | 7.5 | 20 | 0.3 .14 |
| 3/8 10 | 1.75 44 | 0.40 10 | 1.28 32 | 3.54 89 | 7.5 | 25 | 0.3 .14 |
| 1/2 15 | 2.04 51 | 0.59 14.8 | 1.92 48.2 | 3.54 89 | 16 | 50 | 0.5 .23 |
| 3/4 20 | 2.36 59.2 | 0.75 18.8 | 2.09 52.4 | 3.78 95 | 43 | 70 | 0.7 .32 |
| 1 25 | 2.75 69 | 0.95 23.8 | 2.56 64.2 | 4.53 114 | 58 | 90 | 1.1 .51 |
| 1 ¼ 32 | 3.30 82.8 | 1.26 31.4 | 2.95 74 | 4.53 114 | 105 | 125 | 1.6 .74 |
| 1 ½ 40 | 3.66 91.9 | 1.57 39.4 | 3.35 84.1 | 5.51 138 | 160 | 180 | 2.4 1.1 |
| 2 50 | 4.18 105 | 1.97 49.4 | 3.68 92.4 | 5.51 138 | 325 | 290 | 3.4 1.6 |
| 2 ½ 65 | 5.38 135 | 2.52 63.2 | 4.76 119.5 | 8.66 217.4 | 475 | 420 | 7.6 3.5 |
| 3 80 | 6.04 151.6 | 2.95 74 | 5.08 127.5 | 8.66 217.4 | 780 | 710 | 9.4 4.3 |
| 4 100 | 7.39 185.5 | 3.90 97.9 | 5.87 147.3 | 9.61 241 | 1350 | 930 | 16.9 7.8 |

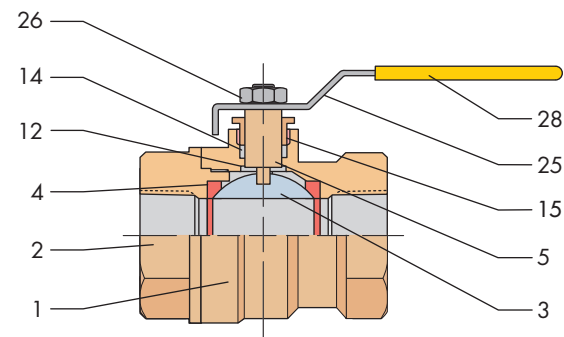


SPECIFICATIONS

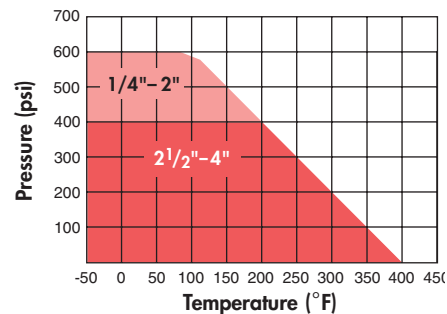
- Threaded End Connections meet ASME B1.20.1 NPT.
- 1/4" - 2" valves rated to 600psi Non-Shock Cold Water, Oil, Gas (WOG)
- 1/4" - 4" valves rated to 150psi Saturated Steam (WSP)
- 2 1/2" - 4" valves rated to 400psi WOG
- All valves are CSA & UL listed and CE certified

COMPONENTS & MATERIALS

| Item | Name | Material | Qty. |
|------|----------------|-----------------------|------|
| 1 | Body | Brass | 1 |
| 2 | End Connection | Brass | 1 |
| 3 | Ball | Brass (Chrome Plated) | 1 |
| 4 | Seat | PTFE | 1 |
| 5 | Stem | Brass | 1 |
| 12 | Thrust Washer | RPTFE | 1 |
| 14 | Stem Packing | PTFE | 1 |
| 15 | Packing Nut | Brass | 1 |
| 25 | Handle | Zinc Plated Steel | 1 |
| 26 | Handle Nut | Zinc Plated Steel | 1 |
| 28 | Handle Sleeve | Vinyl | 1 |



PRESSURE/TEMPERATURE



TESTING

All valves are tested in accordance with MSS-SP72 at 100psi Air under Water in Open and Closed positions.



Flow-Tek®

A Subsidiary of BRAY INTERNATIONAL, Inc.
 8323 N. Eldridge Pkwy #100 Houston, Texas 77041
 832.912.2300 Fax: 832.912.2301
 www.flow-tek.com

All statements, technical information, and recommendations in this bulletin are for general use only. Consult Flow-Tek representatives or factory for the specific requirements and material selection for your intended application. The right to change or modify product design or product without prior notice is reserved.

Flow-Tek® is a registered trademark of Flow-Tek, Inc.
 © 2009 Flow-Tek, Inc.
 F-2207_EN_S51_2009-10

HOLDFAST

FLUID POWER

Forrestfield

657 Dundas Road,
Forrestfield WA 6058

Phone: 1300 HOLDFAST
Phone: (08) 9359 1795
Fax: (08) 9359 1792
Email: sales@holdfaust.com.au

Broome

10/274 Port Drive,
Broome WA 6725

Phone: 1300 HOLDFAST
Phone: (08) 9192 6007
Fax: (08) 9192 6067
Email: salesnw@holdfaust.com.au

Naval Base

1/27 Dooley Street
Naval Base WA 6165

Phone: 1300 HOLDFAST
Phone: (08) 9410 0716
Fax: (08) 9410 1152
Email: sales2@holdfaust.com.au

1300 HOLDFAST